

HV C heating

expansion vessels
200 to 800 litres



altecnic

HV C heating expansion vessels - 200 to 800 litres



Introduction

Altecnic offer a complete range of expansion vessels to meet the requirements of most heating or cooling systems.

Expansion vessels for heating systems are manufactured to meet the requirements of PED 97/23/EC Directive and BS EN 13831:2007 'Closed expansion vessels with built in diaphragm for installation in water'.

Design

The vessel is fabricated by welding the various sections together which results in a very reliable structure suitable for internal pressures up to 6 bar.

Non-replaceable diaphragm

Epoxy coated in grey.

Suitable for flow temperatures up to 120°C, resistant to ethylene or propylene glycol mixtures and has low gas permeability.

Altecnic expansion vessels are all tested according to the Pressure Systems Directive.

How It Works

In a closed heating system water cannot be compressed so any increase in volume, created by an increase in temperature, has to be accommodated by an expansion vessel.

When water is cold, the pre-charge pressure forces the diaphragm against the tank towards the inlet.

As the temperature increases, the expanded water volume pushes against the diaphragm creating additional volume for the water to enter.

When the temperature decreases, the pre-charge pressure forces the water from the tank and back into the main heating system.

This maintains a constant pressure within the heating system helping to reduce energy consumption.

Component

Component	Material
Shell	Carbon Steel
Connections	Carbon Steel
Diaphragm	Synthetic rubber compound
Coating	Powder Epoxy

Technical Specification

Max. working pressure	6 bar
Max. vessel operating temperature	70°C
Factory pre-charge	1.5 bar - nitrogen

CE marked

© Patents & Design Altecnic 2020

Altecnic Ltd retains all rights (including patents, designs and copyrights, trademarks and any other intellectual property rights) in relation to all information provided on or via the website, brochures or any other documents, including all texts, graphics and logos, contained on the website, in brochures or in any other documents published in the name of or on behalf of Altecnic Ltd in any form, without prior written consent of Altecnic Ltd.

Altecnic Ltd Mustang Drive, Stafford, Staffordshire ST16 1GW

T: +44 (0)1785 218200 E: sales@altecnic.co.uk

Registered in England No: 2095101

altecnic.co.uk

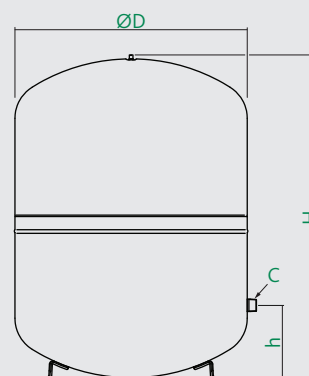
AL 108 03-09-20

E & O.E

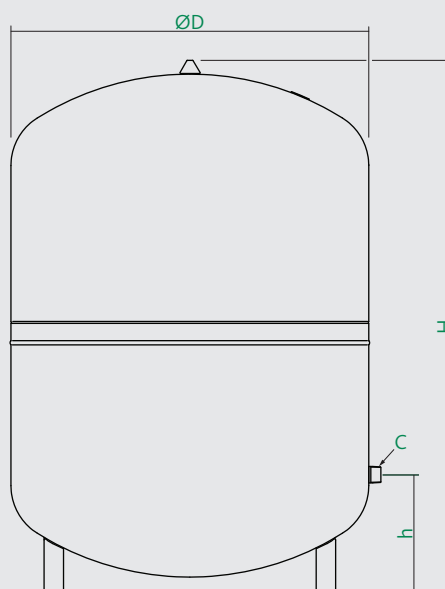
© Altecnic Limited. 2020

ALTECNIC™

Dimensions



200 and 250 litres



300 to 800 litres

Ref No	Capacity	ØD	H	h	C	Weight
	litres	mm	mm	mm	Connection	kg
HV200W	200	634	758	205	R1	37
HV250W	250	634	890	205	R1	45
HV300W	300	634	1090	235	R1	52
HV400W	400	740	1066	245	R1	65
HV500W	500	740	1290	245	R1	79
HV600W	600	740	1530	245	R1	85
HV800W	800	740	1995	245	R1	103